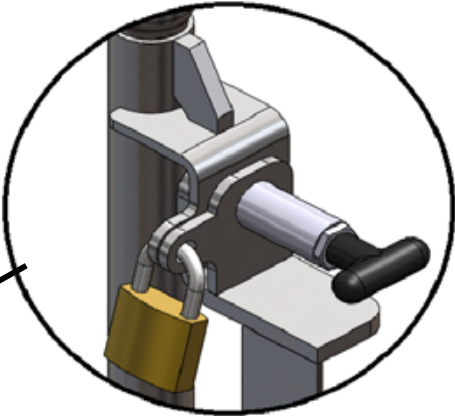
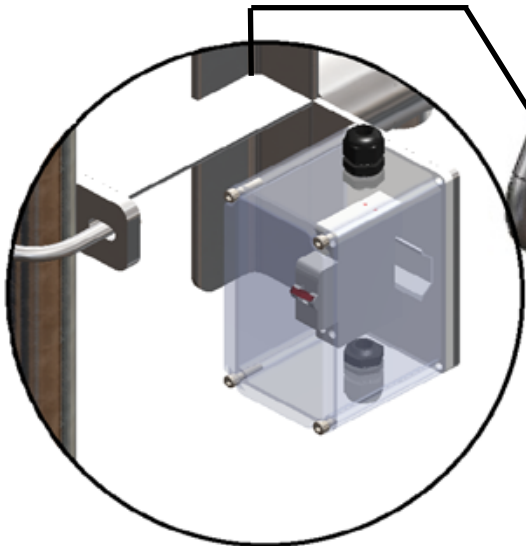


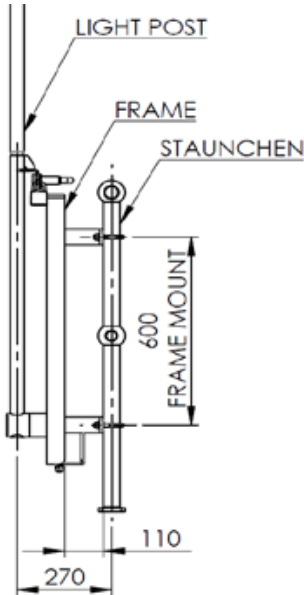
- Rotatable Luminaire

- Height Range available: 1.8 - 3.5m
- 1, 2 or 3 Luminaire configurations
- Bi Directional rotation (Left and Right)

- Circuit Isolation Mounting
- 1 or 2 x M20 Conduit entries in base of post



- Simple Action T-Handle
- Positive locking in all axes for rigidity
- Optional Lockout Feature

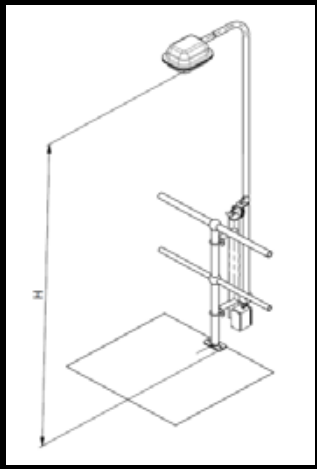


- Friction Rotocuff
- Post will not freefall when lock pin is out of position with Bi-rotational for left or right post lowering

Requirements

QTY Required _____





Post Construction



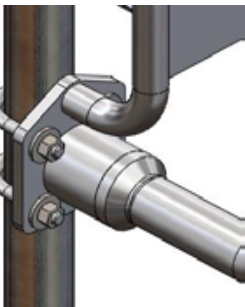


Luminaire Height from Platform / Walkway (H) _____ m

| Post Material | Coating | |
|--|---|--|
| <input type="checkbox"/> Steel | <input type="checkbox"/> Galvanised | <input type="checkbox"/> Powder Coated |
| <input type="checkbox"/> Aluminium | <input type="checkbox"/> Anodised | <input type="checkbox"/> Powder Coated |
| <input type="checkbox"/> Stainless Steel | <input type="checkbox"/> Raw - No Coating | <input type="checkbox"/> Powder Coated |

Luminaire Configuration

| | | | |
|---|--|---|--|
| <input type="checkbox"/> Single  | <input type="checkbox"/> Double Parallel  | <input type="checkbox"/> Triple Parallel  | <input type="checkbox"/> Double Outreach  |
|---|--|---|--|

Options

| | |
|--|---|
| <input type="checkbox"/> Friction Rotocuff Required  | <input type="checkbox"/> Circuit Isolation Mount Plate Required  |
| <input type="checkbox"/> Lockout Tab Required  | <p>Mount Plate Sketch</p> |